

OPTO 22

RACKS CLASSIC G4 16-CHANNEL

DATA SHEET

page 1/4

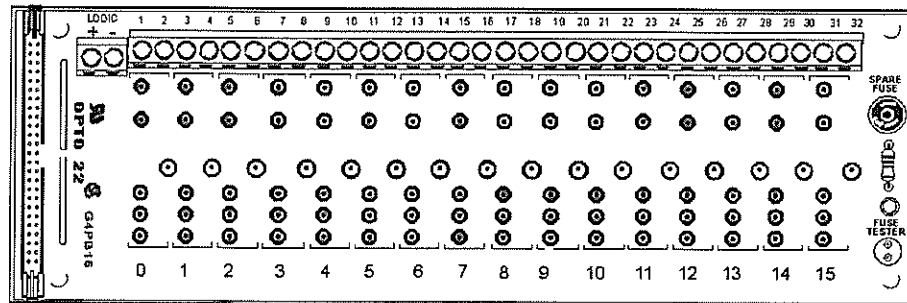
Form 246-040823

Description

Part Number	Description
G4PB16	G4 16-Channel I/O Module Rack

The G4PB16 I/O mounting rack accommodates up to 16 G4 I/O modules. Insert and remove modules easily and quickly without disturbing field wiring. Modules are secured to the mounting rack with a threaded captive hold-down screw.

Barrier strips with screw terminals provide the field and mounting rack power connections. A header connector accepts a standard 50-pin cable for the logic connections.



Features

- Requires minimum panel space
- Built-in fuse tester
- Spare fuse on board
- UL recognized, CSA certified, CE approved
- Uses a single 5, 15, or 24 VDC power supply for control power

Specifications

Operating temperature:	0 to 70° C 95 percent relative humidity, non-condensing
Interface connector: Field:	Screw-type barrier strip accommodates up to 10 AWG wire 50-conductor header connector

OPTO 22

DATA SHEET

Form 246-040823

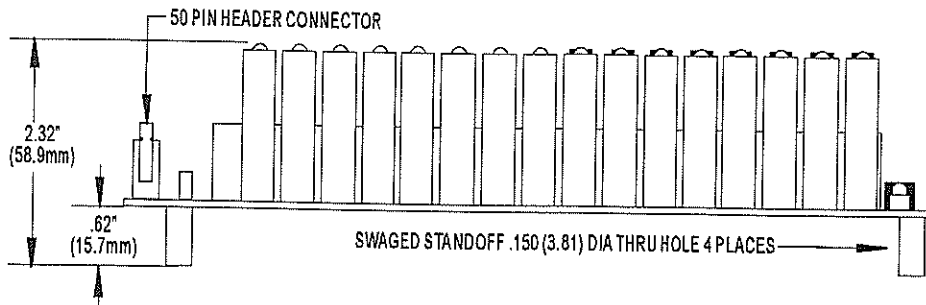
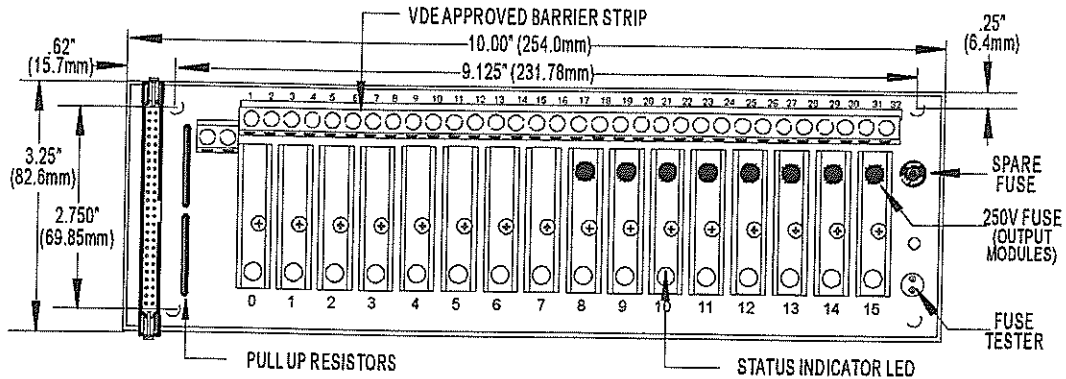
RACKS

CLASSIC G4

16-CHANNEL

page 2/4

Dimensions



OPTO 22

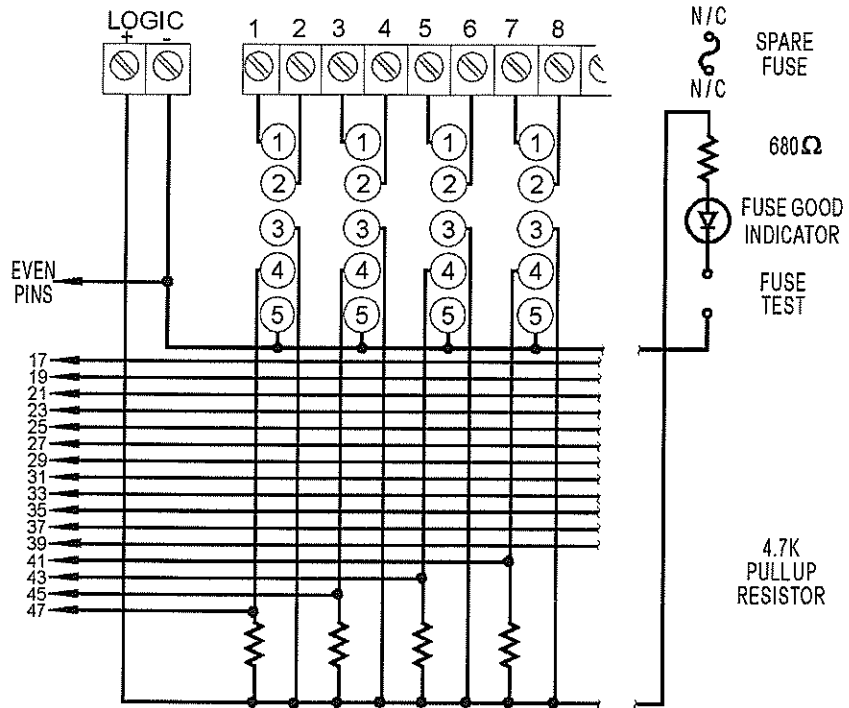
DATA SHEET

Form 246-040823

RACKS CLASSIC G4 16-CHANNEL

page 3/4

Connections



OPTO 22

DATA SHEET

RACKS CLASSIC G4 16-CHANNEL

page 4/4

Form 246-040823

Connections (CONT.)

Module Position	Control (Header Connector)	Field (Terminal Strip)
0	47	1 and 2
1	45	3 and 4
2	43	5 and 6
3	41	7 and 8
4	39	9 and 10
5	37	11 and 12
6	35	13 and 14
7	33	15 and 16
8	31	17 and 18
9	29	19 and 20
10	27	21 and 22
11	25	23 and 24
12	23	25 and 26
13	21	27 and 28
14	19	29 and 30
15	17	31 and 32

Notes:

1. Even pins on control connector are connected by etch to common.
2. +VCC and return connected to terminals marked LOGIC + and -.
3. At each module position on the field terminal strip, the lower number is always connected to pin 1 of the I/O module.